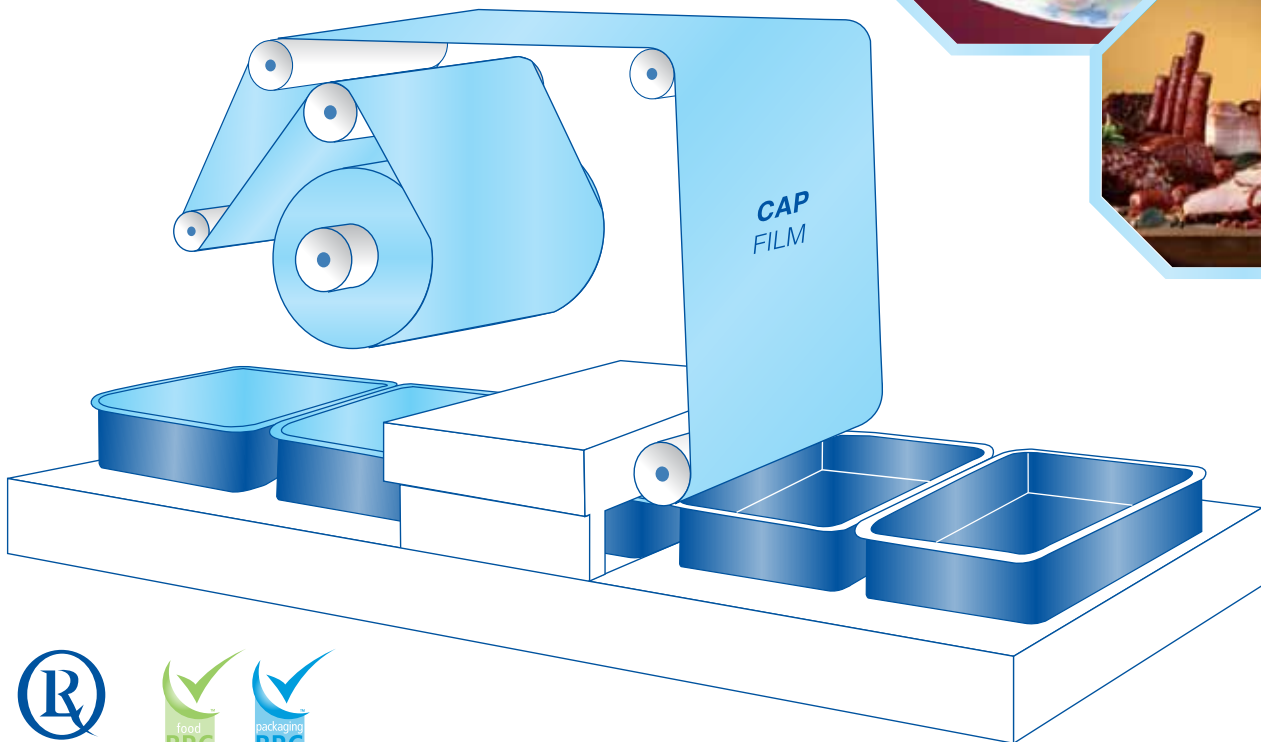




**CLIFTON** PACKAGING GROUP LTD  
the total packaging solution

# CAP Lidding Film



# CAP Lidding Film

Clifton Packaging is pleased to introduce **CAPFILM**. An exciting new range of high gloss superior clarity lidding films, which will give a clear presentation of your products.

The **CAP** family of films are multi layer laminated films, engineered for tray lidding and flow wrapping applications.

These films have been specially designed to give improved reliability, productivity and performance across all machines for your most demanding applications.



## Characteristics

- Exceptional clarity.
- High gloss finish.
- Good weld seal through product contamination.
- High strength.
- Excellent puncture resistance.

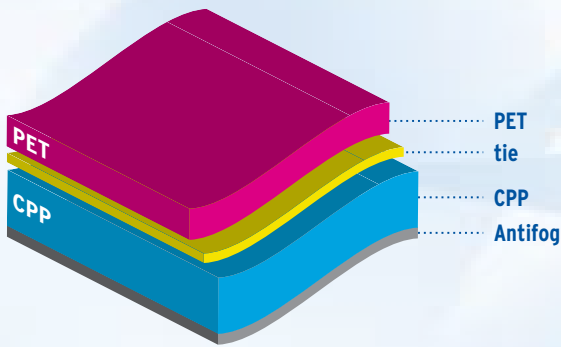
## Applications

- Fresh meat.
- Fish.
- Poultry.
- Sausages and cured meats.
- Cooked meats.
- Cheese.
- Sauces and soups.
- Ready meals.
- Processed produce.
- Non food.



# CAP

## Lidding Film

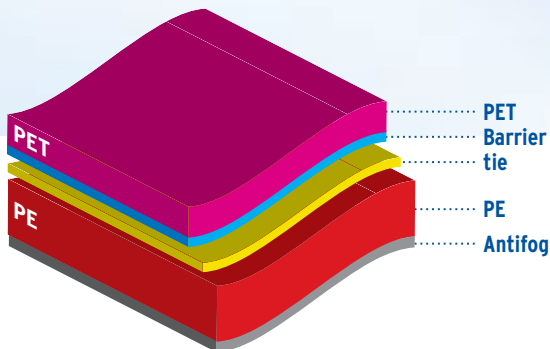


### CAPFILM PP

Suitable for sealing to polypropylene (PP) trays.

Available options:

- Anti-fog properties.
- Medium and high barrier versions.
- Weld or peelable seal.
- Gauges from 40µm to 100µm.
- Retortable and Pasteurisable up to 100°C.

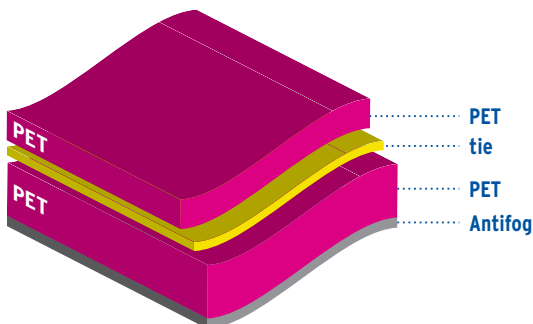


### CAPFILM PE

Suitable for sealing to polyethylene coated (PE) trays.

Available options:

- Anti-fog properties.
- Medium and high barrier versions
- Weld or peelable seal
- Gauges from 40µm to 100µm



### CAPFILM PET

A recyclable film suitable for sealing to APET and CPET trays.

Available options:

- Anti-fog properties.
- Medium and high barrier versions.
- Weld or peelable seal.
- Gauges from 23µm to 42µm.
- Ovenable and Microwavable up to 240°C.
- (R)PET with post consumer waste content.

For further information please contact one of our film technicians who will be able to help you with the products we supply engineered to suit your specific market and product application.

# CAP Lidding Film

CAP  
FILM PP

CAP  
FILM PE

CAP  
FILM PET



**CLIFTON PACKAGING GROUP LTD**

Meridian Business Park, Centurion Way, Leicester, LE19 1WH (U.K) - Tel: +44 (0)116 289 3355 - Fax: +44 (0)116 289 1113  
Email: [info@cliftonpackaging.co.uk](mailto:info@cliftonpackaging.co.uk) - Web: [www.cliftonpackaging.com](http://www.cliftonpackaging.com)