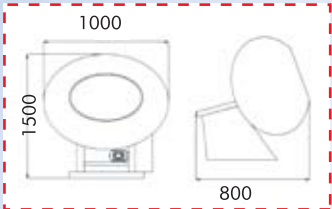




CLIFTON PACKAGING GROUP PLC

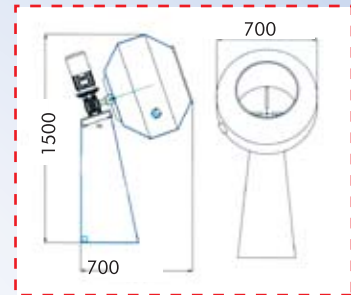
Packaging For Tomorrows World

Mixing Drums



Batch Capacity	50kg
Power	0.55 KW
Dimensions	1.00m(L) 0.80m(W) 1.50m(H)
Weight	160kg

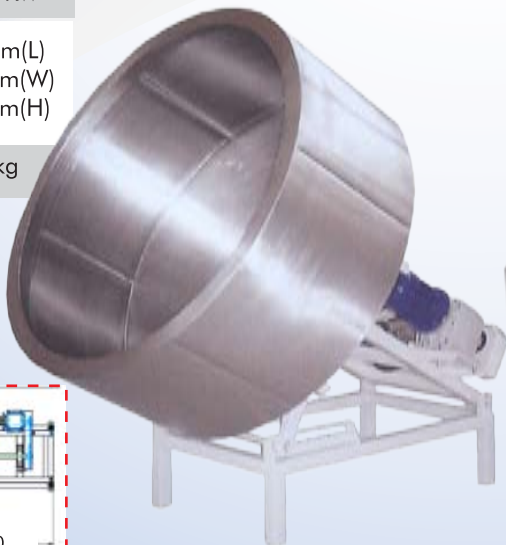
NOT 50



Batch Capacity	25kg
Power	0.55 KW
Dimensions	1.70m(L) 0.70m(W) 1.50m(H)
Weight	100kg

SM 100A

Batch Capacity	25kg
Power	0.55 KW
Dimensions	1.70m(L) 0.70m(W) 1.50m(H)
Weight	100kg



NOT 87

Batch Capacity	25kg
Power	0.55 KW
Dimensions	1.70m(L) 0.70m(W) 1.50m(H)
Weight	100kg



SM 100

